

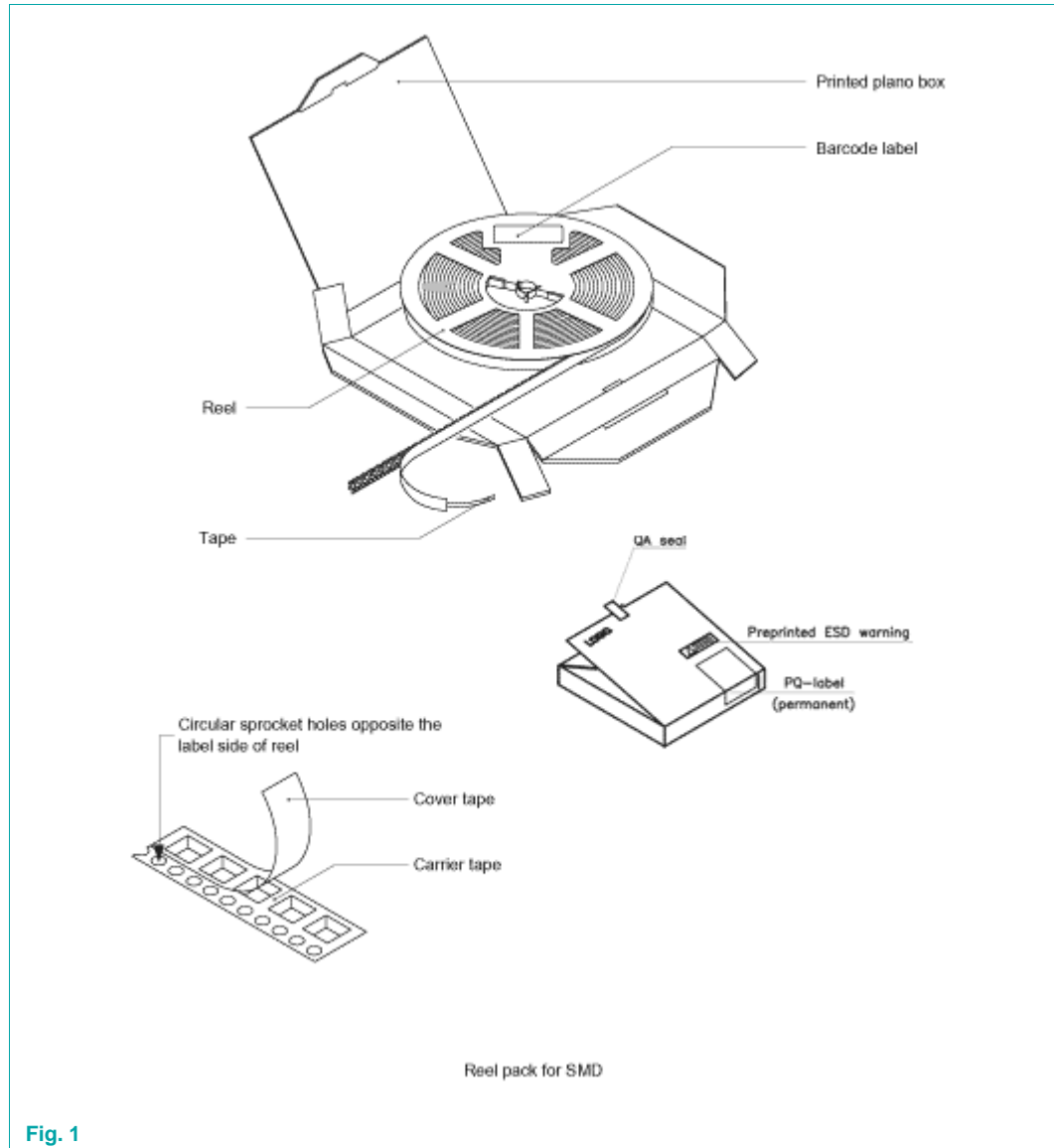
# SOT362-1

## Standard product orientation 12NC ending 518

Rev. 01 — 24 April 2009

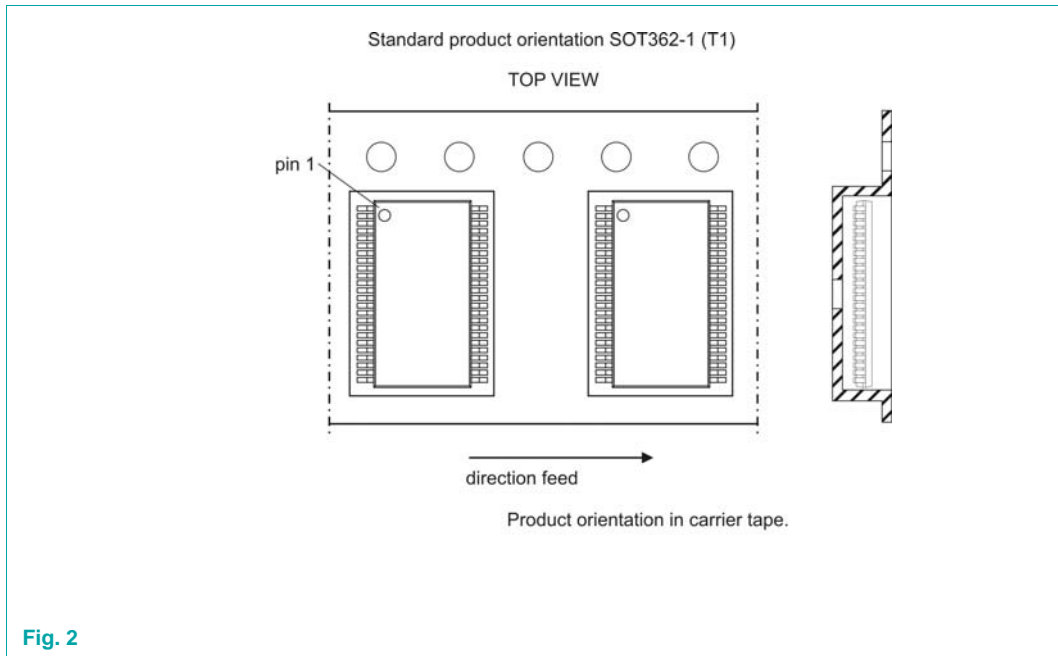
Packing information

### 1. Packing method

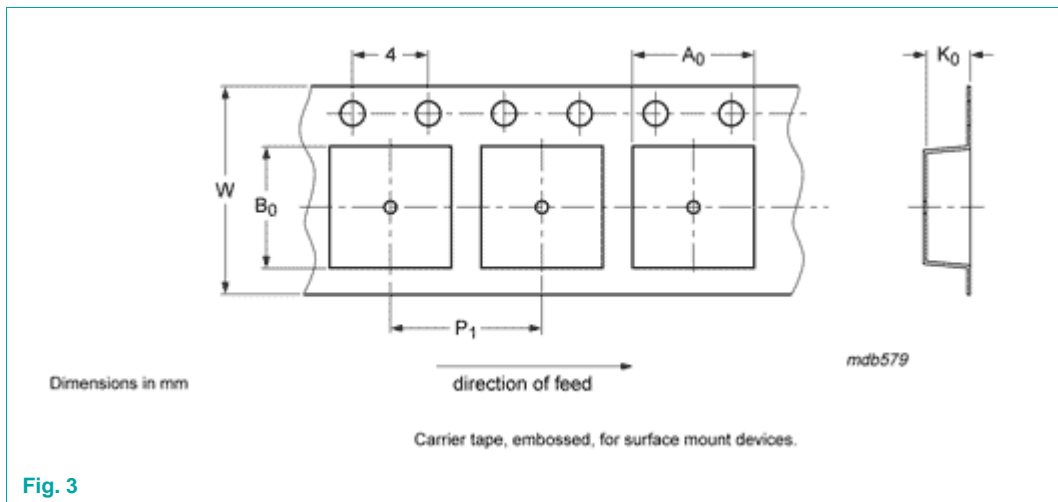


Package version	12NC ending	Reel dimensions d x w (mm)	SPQ/PQ (pcs)	Reels per box	Outer box dimensions l x w x h (mm)
SOT362-1	518 (dry pack)	330 x 30	2000	1	339 x 335 x 43

2. Product orientation



3. Carrier tape dimensions



A <sub>0</sub> (mm)	B <sub>0</sub> (mm)	K <sub>0</sub> (mm)	T (mm)	P <sub>1</sub> (mm)	W (mm)
8.60	14.30	1.3	-	12.0	24

4. Carrier tape dimensions

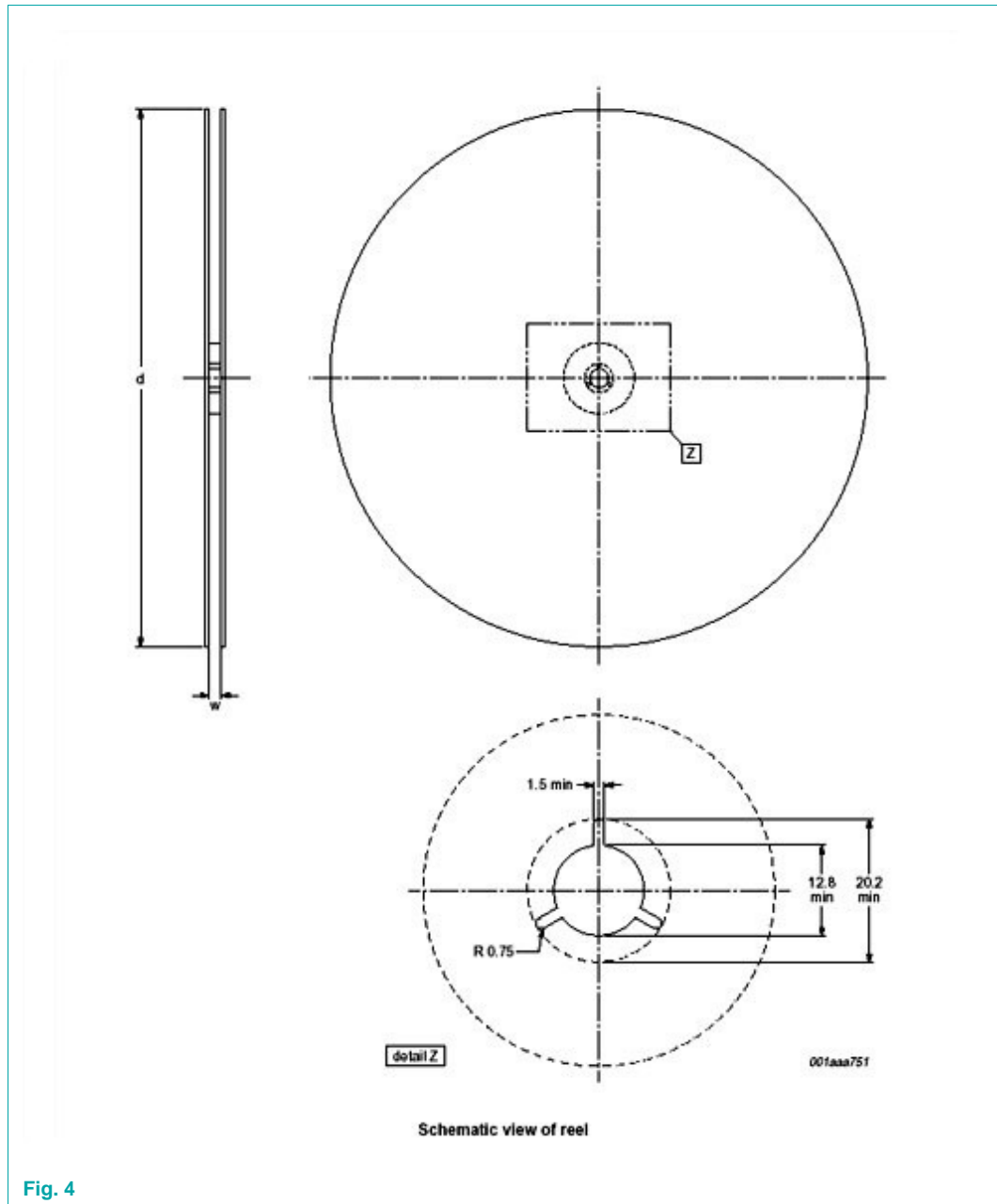


Fig. 4

Package version	12NC ending	Reel dimensions d x w (mm)	SPQ/PQ (pcs)
SOT362-1	518	330 x 30	2000

5. Barcode label box and reel information

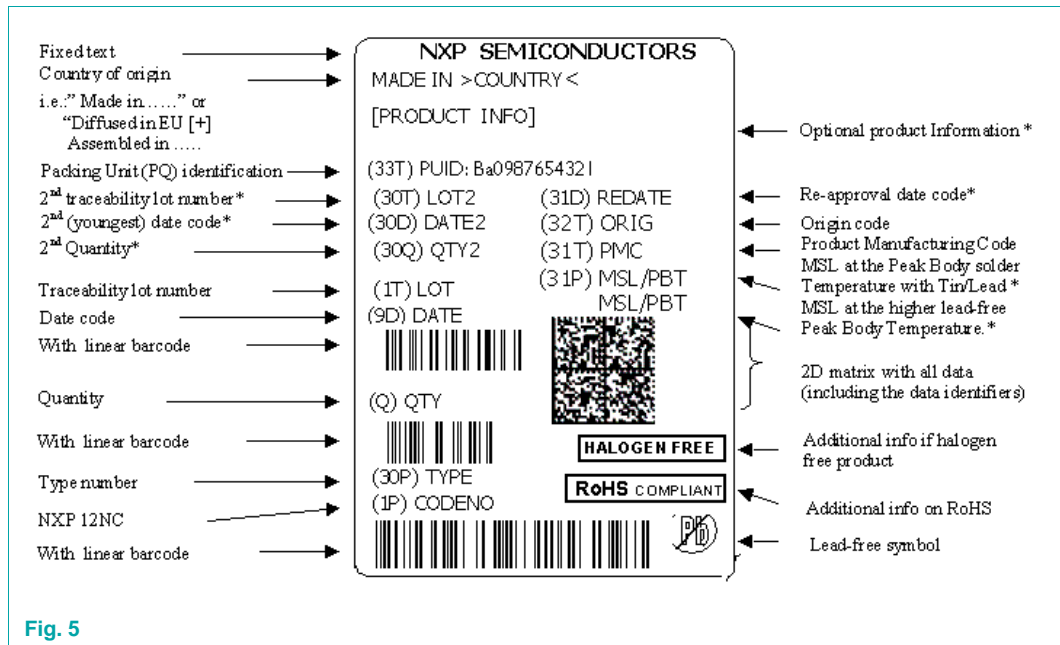


Fig. 5

<b>Label dimensions</b>
<b>l x w (mm)</b>
100 x 75



Reproduction in whole or in part is prohibited without the prior written consent of the copyright owner. The information presented in this document does not form part of any quotation or contract, is believed to be accurate and reliable and may be changed without notice. No liability will be accepted by the publisher for any consequence of its use. Publication thereof does not convey nor imply any license under patent- or other industrial or intellectual property rights.

© NXP B.V. 2007. All rights reserved.

For more information, please visit: <http://www.nxp.com>  
 For sales office addresses, email to: [salesaddresses@nxp.com](mailto:salesaddresses@nxp.com)

Date of release: 24 April 2009  
 Document identifier: SOT362-1\_1