

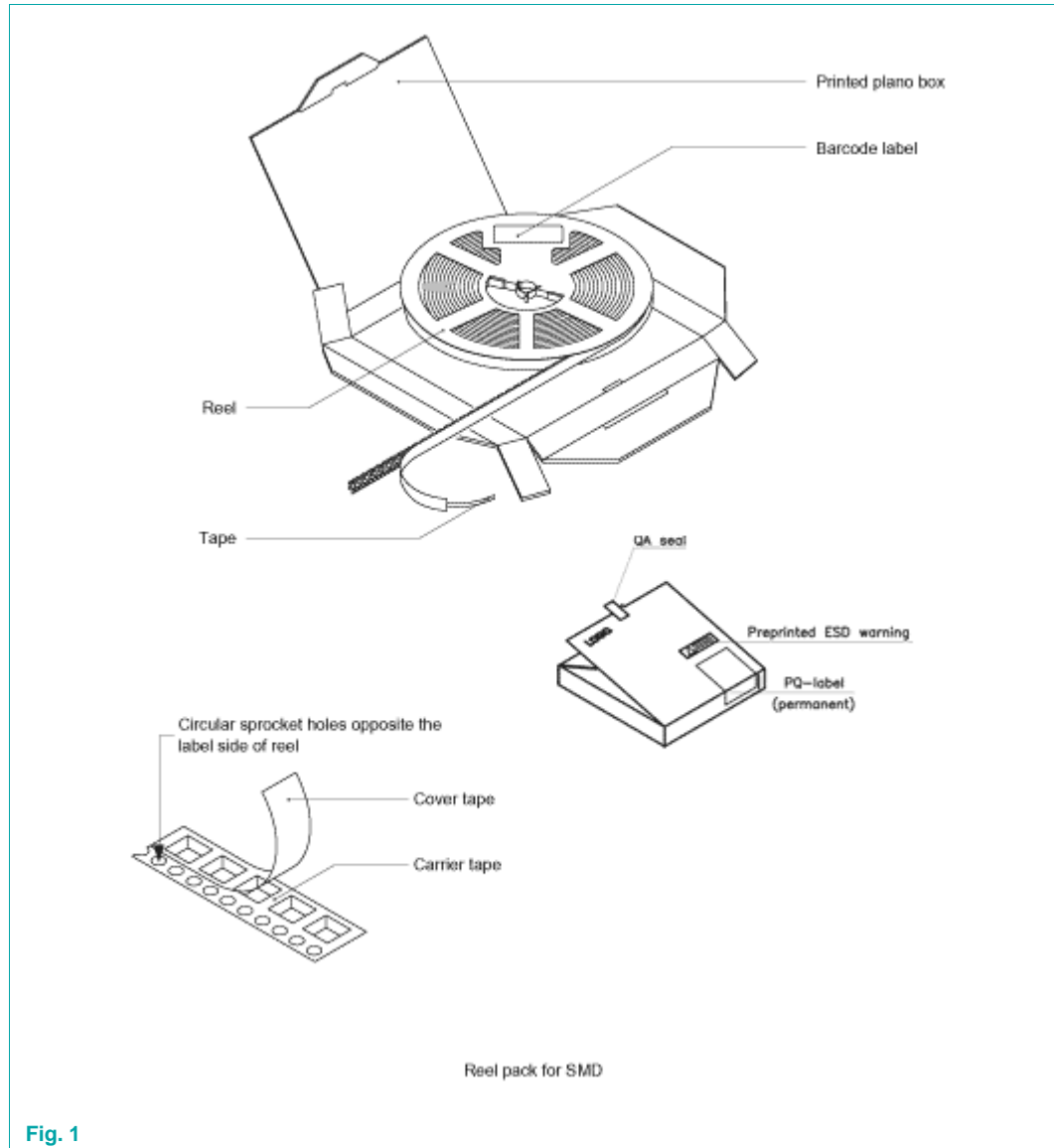
# SOT403-1

Standard product orientation 12NC ending 118, 623 & 653

Rev. 01 — 23 April 2009

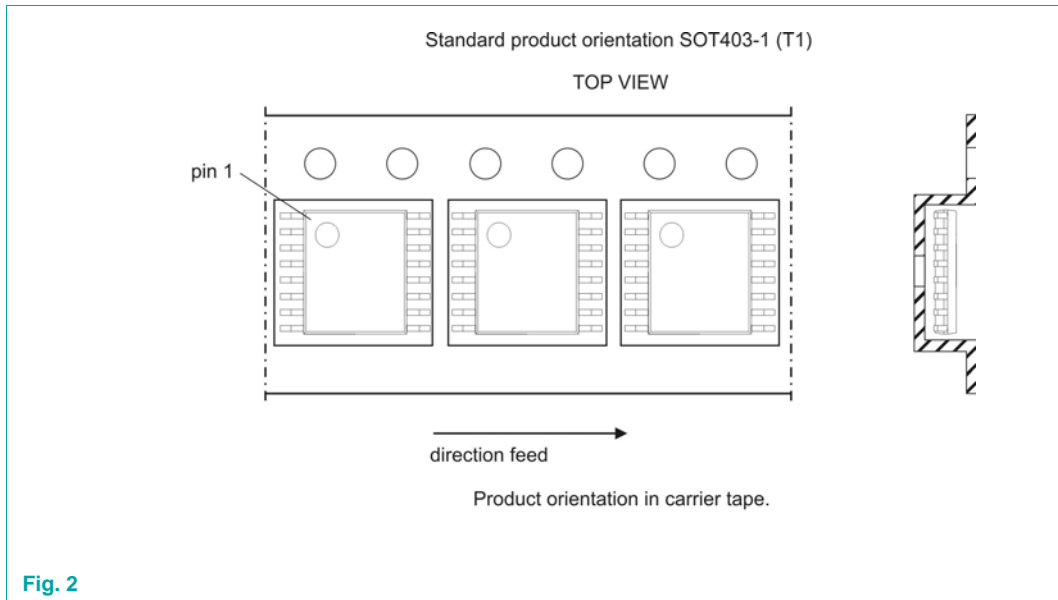
Packing information

## 1. Packing method

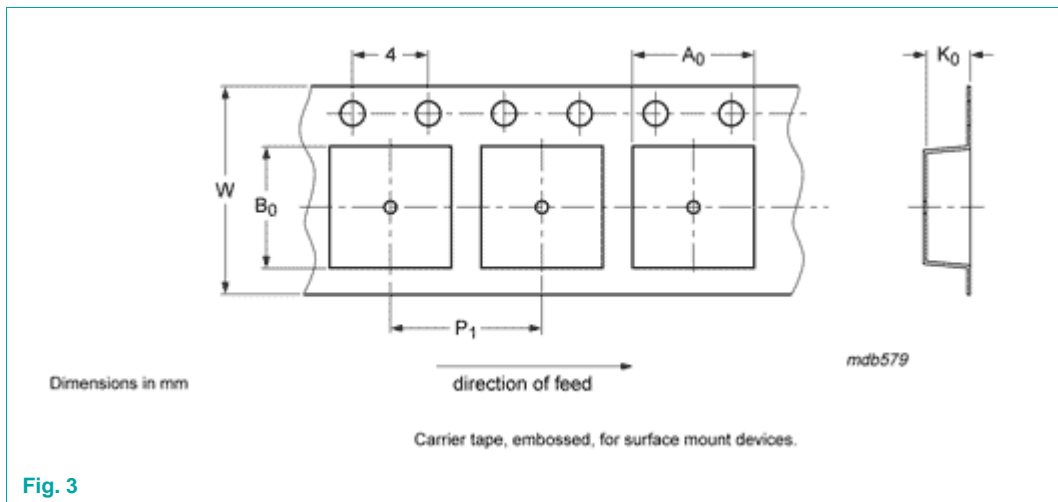


Package version	12NC ending	Reel dimensions d x w (mm)	SPQ/PQ (pcs)	Reels per box	Outer box dimensions l x w x h (mm)
SOT403-1	118	330 x 12	2500	1	339 x 335 x 27
SOT403-1	623	330 x 12	2500	1	339 x 335 x 27
SOT403-1	653	330 x 12	2500	1	339 x 335 x 27

2. Product orientation



3. Carrier tape dimensions



A <sub>0</sub> (mm)	B <sub>0</sub> (mm)	K <sub>0</sub> (mm)	T (mm)	P <sub>1</sub> (mm)	W (mm)
6.90	5.60	1.5	-	8.0	12

4. Carrier tape dimensions

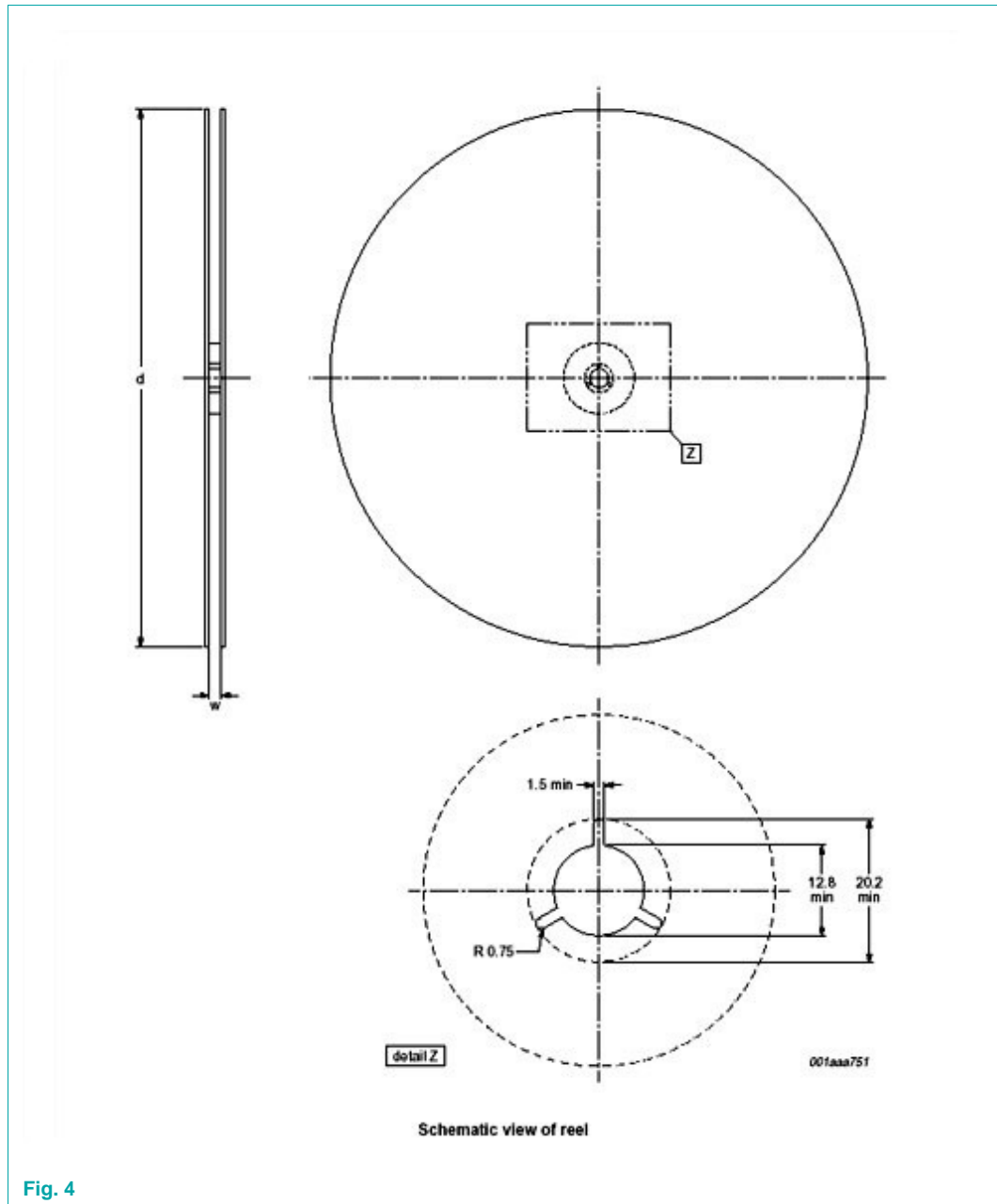
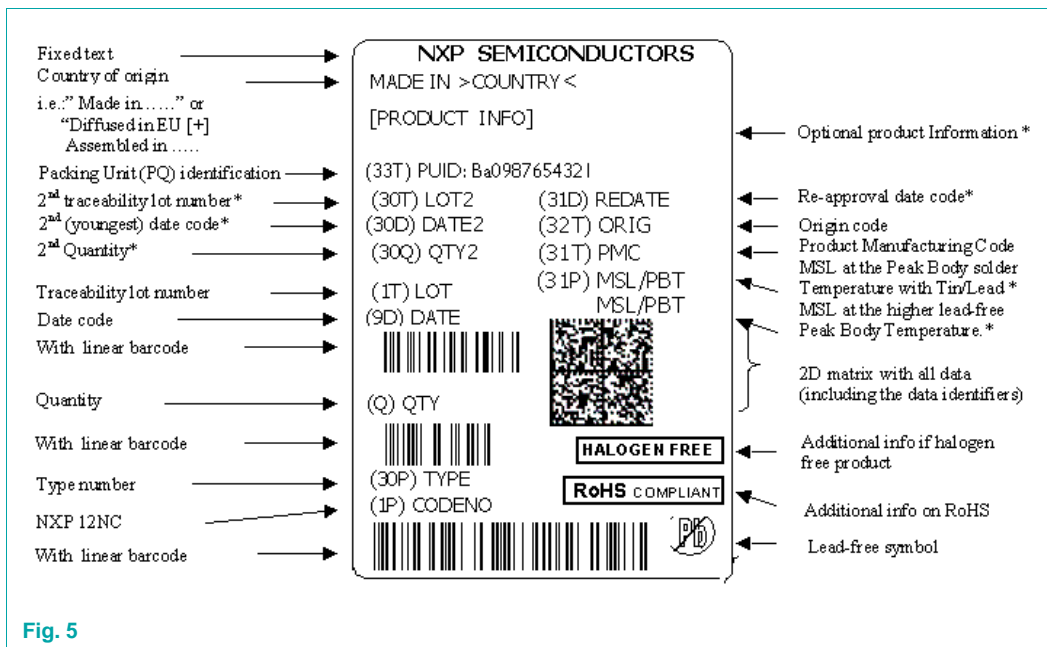


Fig. 4

Package version	12NC ending	Reel dimensions d x w (mm)	SPQ/PQ (pcs)
SOT403-1	118	330 x 12	2500
SOT403-1	623	330 x 12	2500
SOT403-1	653	330 x 12	2500

5. Barcode label box and reel information



<b>Label dimensions</b>
<b>l x w (mm)</b>
100 x 75



Reproduction in whole or in part is prohibited without the prior written consent of the copyright owner. The information presented in this document does not form part of any quotation or contract, is believed to be accurate and reliable and may be changed without notice. No liability will be accepted by the publisher for any consequence of its use. Publication thereof does not convey nor imply any license under patent- or other industrial or intellectual property rights.

© NXP B.V. 2007. All rights reserved.

For more information, please visit: <http://www.nxp.com>  
 For sales office addresses, email to: [salesaddresses@nxp.com](mailto:salesaddresses@nxp.com)

Date of release: 23 April 2009  
 Document identifier: SOT403-1\_1