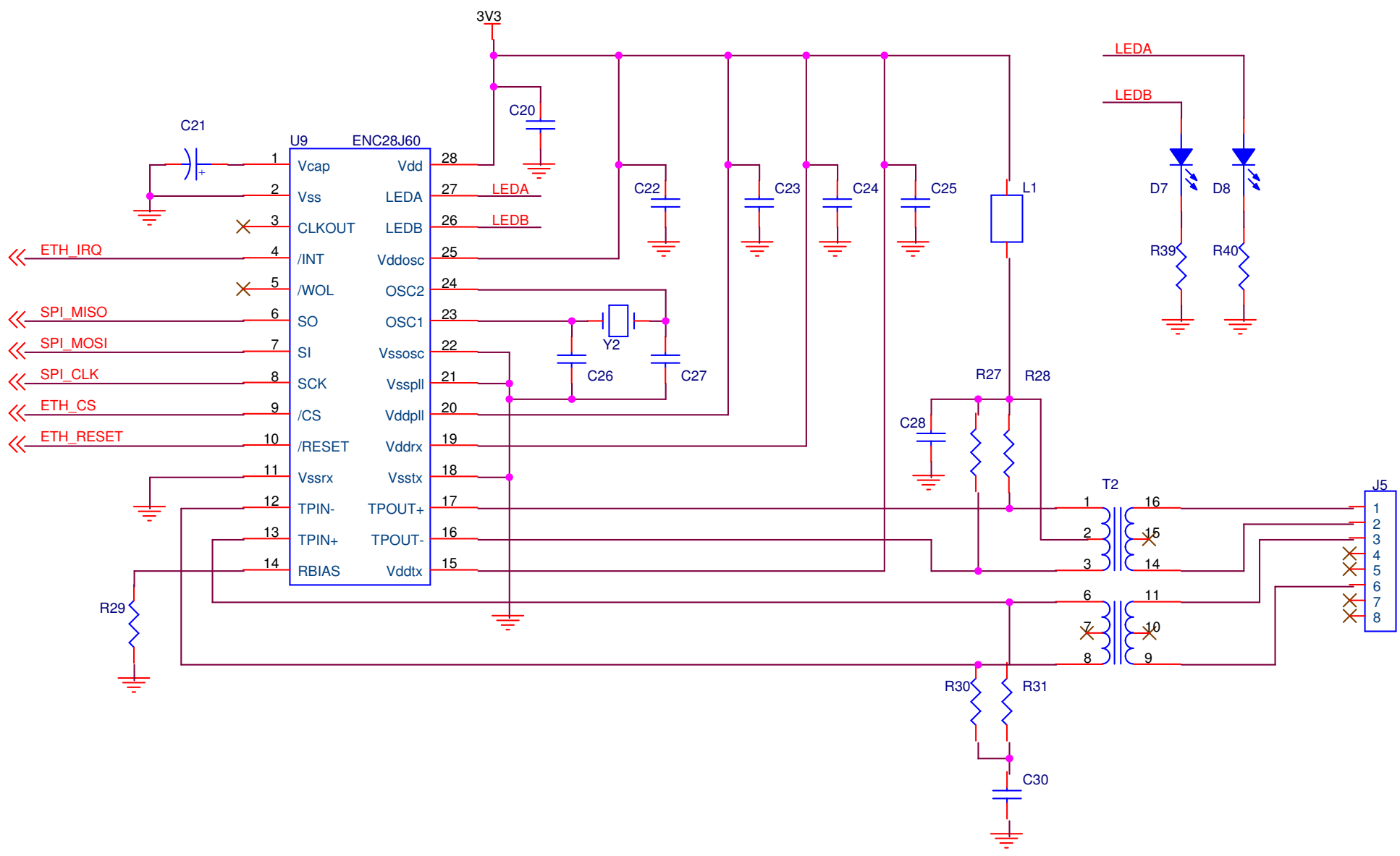


Rev 1.1

- U1/1A4 connected to P1.21 (instead of 3V3 through R35)

Title		
Telephone Answering Machine		
Size B	Document Number AR1762	Rev 1.1
Date:	Sunday, October 23, 2005	Sheet 1 of 1

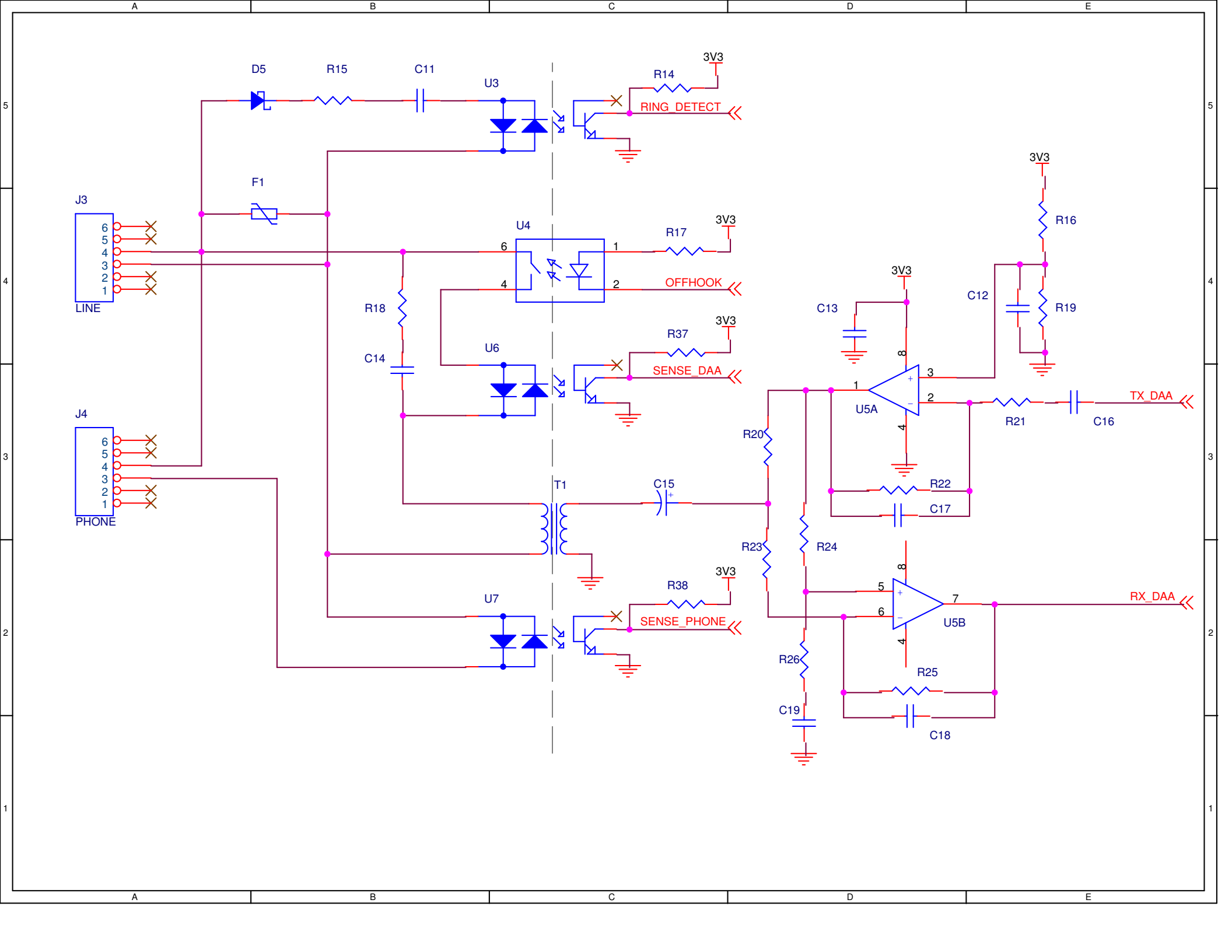


ETH_IRQ
SPI_MISO
SPI_MOSI
SPI_CLK
ETH_CS
ETH_RESET

U9 ENC28J60
1 Vcap
2 Vss
3 CLKOUT
4 /INT
5 /WOL
6 SO
7 SI
8 SCK
9 /CS
10 /RESET
11 Vssrx
12 TPIN-
13 TPIN+
14 RBIAS
28 Vdd
27 LEDA
26 LEDB
25 Vddosc
24 OSC2
23 OSC1
22 Vssosc
21 Vsspll
20 Vddpll
19 Vddrx
18 Vsstx
17 TPOUT+
16 TPOUT-
15 Vddtx

LEDA
LEDB
D7
D8
R39
R40

J5
1
2
3
4
5
6
7
8



Power
(+5V center)

